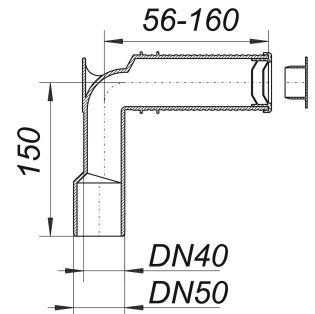


build-in elbow, DN 40/DN 50

Part number: 350039
GTIN: 4001636350039
Rebate group: 2



Description:

build-in elbow, DN 40/DN 50
for DN 32 and DN 40 connection
outlet DN 40/DN 50

specification:

- seal
- multi size blanking plug
- cut to length to suit wall thickness

material:

polypropylene