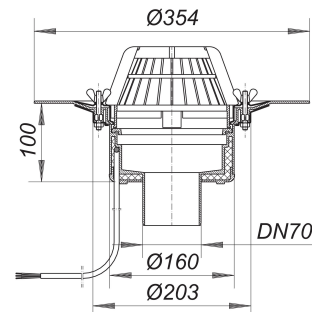


## roof drain type 62 H clamp ring, heated, DN 70

Part number: 621146  
GTIN: 4001636621146  
Rebate group: 10



### Description:

roof drain type 62 H clamp ring, heated, DN 70  
conforming to DIN EN 1253  
with stainless steel clamp ring to secure all single-ply membranes

#### specification:

- insulated drain body
- outlet vertical
- domed grate

#### material:

polypropylene, UV-stabilized

#### H = roof drain heated version:

- Connect to 230 V supply, conforming to VDE 0721, Part 1/3.78
  - Power per drain: 15 watts
  - Current per drain: 0.06 amps
  - Suggested current per roof area: 16 amps
- R 30 - 120 option available.