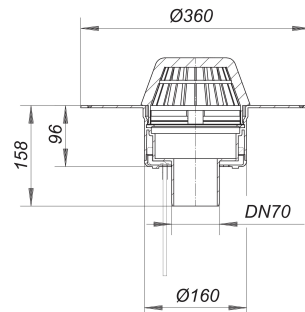


roof drain type 62 H PVC, heated, DN 70

Part number: 623140
GTIN: 4001636623140
Rebate group: 10



Description:

roof drain type 62 H PVC, heated, DN 70
conforming to DIN EN 1253
one-piece drain, moulded in PVC, PVC membranes can be welded to the flanges

specification:

- insulated drain body
- outlet vertical
- domed grate

material:

PVC

H = roof drain heated version:

- Connect to 230 V supply, conforming to VDE 0721, Part 1/3.78
- Power per drain: 15 watts
- Current per drain: 0.06 amps
- Suggested current per roof area: 16 amps