

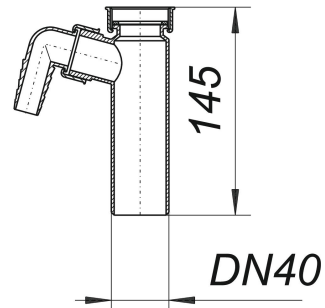
---

## inlet tube type 010/1 145 mm, 1 1/4" x DN 40

---

Part number: 070111  
GTIN: 4001636070111  
Rebate group: 1

---



---

### Description:

inlet tube type 010/1 145 mm, 1 1/4" x DN 40

specification:

- back nut and flat seal (non-asbestos)
- 1 appliance hose connector

material:

polypropylene