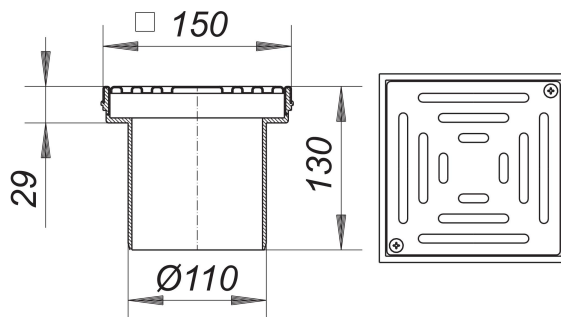


## grating KEN 11, 150 x 150 mm

Part number: 510112  
GTIN: 4001636510112  
Rebate group: 3



### Description:

grating KEN 11, 150 x 150 mm  
without trap  
spigot ABS, extendable with DN 100 plastic pipe  
frame 304 stainless steel, 150 x 150 mm  
grate 304 stainless steel, secured, load class K 3 (300 kg)

These gratings have a connector diameter of 110 mm and can be installed as a grating for an untrapped drain.

Some of these gratings can be supplied with d: 103 mm spigot where its use is allowed. Please enquire.