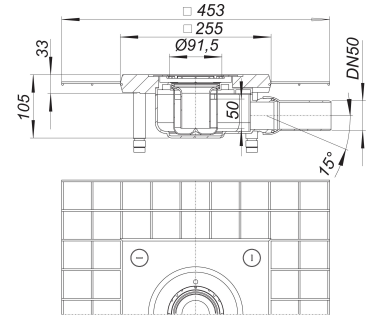


Floor drain body CeraDrain 48, DN 50

Part number: 513205
 GTIN: 4001636513205
 Rebate group: 5



Description:

Floor drain body CeraDrain 48, DN 50
 conforming to DIN EN 1253
 outlet DN 50 horizontal, with ball-joint, adjustable 0 – 15 degrees

specification

- polymer concrete collar with steel mesh reinforcement
- glassfibre mat reinforcement
- height adjustable levelling legs
- laterally adjustable upper collar
- removable trap insert, 50 mm water seal (conforming to DIN EN 1253)
- temporary blanking plate

material

polypropylene

Used with gratings and frames for CeraDrain S 10/TistoDrain S 10.

Flow rates tested to DIN EN 1253:

Nominal diameter	Product standard	Min. flow rate according to norm	Water level according to norm
DN 50	DIN EN 1253	0.80 l/s	20.00 mm

Spare parts:

495082 Upper collar CeraDrain/TistoDrain S 10

514066 floor drain CeraDrain 48 VC 10, DN 50,

595102 Glassfibre mat S 10, reinforced, 500 x