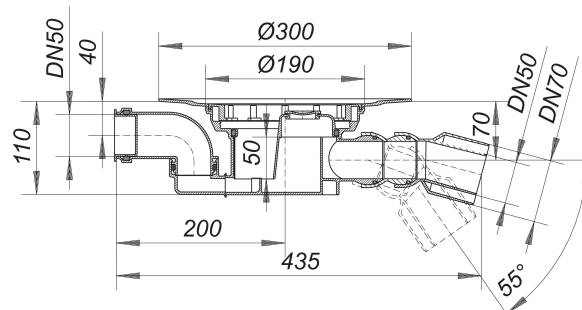


## Floor drain body type 55, inlet DN 50, DN 50/DN 70

Part number: 551054  
 GTIN: 4001636551054  
 Rebate group: 3



### Description:

Floor drain body type 55, inlet DN 50, DN 50/DN 70  
 conforming to DIN EN 1253  
 outlet DN 50/DN 70 horizontal, with double ball-joint, adjustable 0 – 55 degrees

#### specification

- DN 50 side inlet, swivelling 180 degrees
- trap insert, 50 mm water seal (conforming to DIN EN 1253)
- rodding eye\*
- temporary blanking plate

#### material

polypropylene

The outlet connector can be supplied in ABS to suit British Standard sizes and PE-HD conforming to DIN EN 1519. Please enquire.

\* Access to trap and outlet via rodding eye.

### Flow rates tested to DIN EN 1253:

Nominal diameter	Product standard	Min. flow rate according to norm	Water level according to norm
DN 70	DIN EN 1253	0.80 l/s	20.00 mm
DN 50	DIN EN 1253	0.80 l/s	20.00 mm

### Spare parts:

590015 screwed plug for 54, 55, 57, 57 AK, 58,

590091 centralising ring for drain bodies type