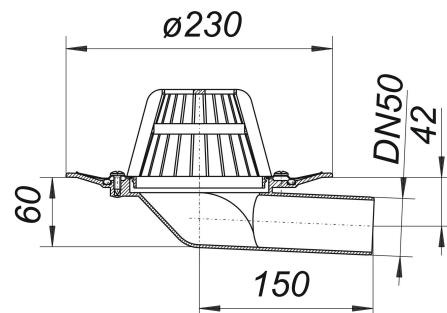


## roof drain type 83 D clamp ring, DN 50

Part number: 830623  
 GTIN: 4001636830623  
 Rebate group: 3



### Description:

roof drain type 83 D clamp ring, DN 50  
 conforming to DIN EN 1253  
 with stainless steel clamp ring to secure all single-ply membranes

specification:

- side outlet, 3 degrees
- domed grating
- temporary blanking plate

material:

polypropylene, UV-stabilized

### Flow rates tested to DIN EN 1253:

Nominal diameter	Product standard	Min. flow rate according to norm	Water level according to norm
DN 50	DIN EN 1253	0.90 l/s	35.00 mm