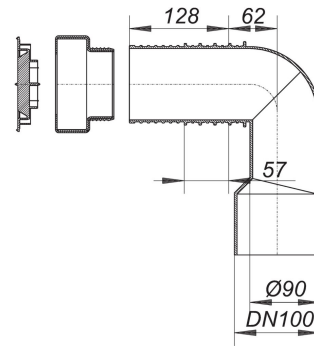


21. November 2019

**DALLMER**

## connector type 225, 90° WC, DN 90/DN 100

Product No. **320025**  
EAN: 4001636320025  
Discount group: 2



for back to wall DN 100 WCs

specification:

- inlet to be shortened to suit on site
- rubber seal
- combined blanking plate/depth gauge