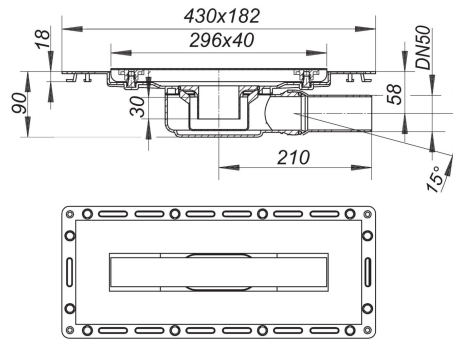


21. November 2019

DALLMER**linear drain TistoLine Plan Standard 300, DN 50**

Product No. **530103**
 EAN: 4001636530103
 Discount group: 5



outlet DN 50 horizontal, ball-joint adjustable 0 – 15 degrees

specification:

- waterproofing flange with fleece surface
- Tisto-membrane
- temporary blanking plate
- trap insert easily removable for cleaning, 30 mm water seal
- height adjustable pedestals to level cover with mosaic, tile, stone etc.
- tile-trim jig

material:

drain body polypropylene

cover plate 304 stainless steel, 300 x 40 mm, load class K 3 (300 kg), for flooring
 2 – 12 mm (incl. adhesiv)

Available with connectors to suit PVC and HDPE pipe.

Flow rate tested to DIN EN 1253 Tab. 3,
 (with 20 mm water over cover plate), conforming to DIN EN 274

	Norm	DALLMER
DN 50	0.4 l/s	0.7 l/s

Product No.	Description	Dimensions
520913	natural stone kit CeraLine built until July 2013	

21. November 2019

DALLMER

521088	Service device CeraLine
520494	stainless steel polish