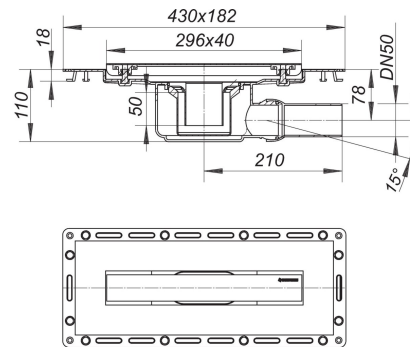


21. November 2019

**DALLMER****linear drain TistoLine Standard 300, DN 50**

Product No. **530264**  
 EAN: 4001636530264  
 Discount group: 5



outlet DN 50 horizontal, ball-joint adjustable 0 – 15 degrees

specification:

- waterproofing flange with fleece surface
- Tisto-membrane
- temporary blanking plate
- trap insert easily removable for cleaning, 50 mm water seal
- height adjustable pedestals to level cover with mosaic, tile, stone etc.
- tile trim jig

material:

drain body polypropylene

cover plate 304 stainless steel, 300 x 40 mm, load class K 3 (300 kg), for flooring  
 2 – 12 mm (incl. adhesiv)

Also available with recessed cover and with connectors to suit PVC and HDPE pipe.

Flow rate tested to DIN EN 1253 Tab. 3,  
 (with 20 mm water over cover plate), conforming to DIN EN 274

	Norm	DALLMER
DN 50	0.4 l/s	0.7 l/s

Product No.	Description	Dimensions
521088	Service device CeraLine	