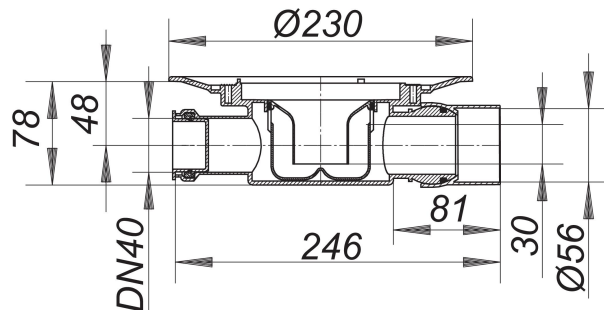


Floor drain body type 42 S, inlet DN 40, BS 2"

Part number: 421425
GTIN: 4001636421425
Rebate group: 3



Description:

Floor drain body type 42 S, inlet DN 40, BS 2"
outlet horizontal, ball-joint adjustable 0 – 15 degrees, DN 50, BS 2" sw socket or HDPE 56 mm

specification

- removable trap insert, 30 mm water seal (deviating to DIN EN 1253)
- temporary blanking plate

material

polypropylene
with DN 40 side inlet

The outlet connector can be supplied in ABS to suit British Standard sizes and PE-HD conforming to DIN EN 1519. Please enquire.