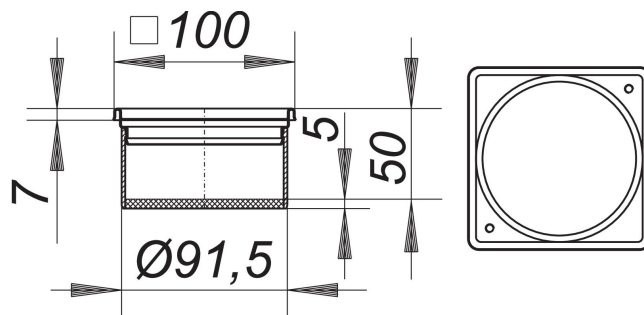

frame V, S 10/100, 316Ti stainless steel, 100 x 100 mm

Part number: 495495
GTIN: 4001636495495
Rebate group: 5



Description:

frame V, S 10/100, 316Ti stainless steel, 100 x 100 mm

for CeraDrain S 10 and TistoDrain S 10

height adjustable up to 40 mm with +/- 5.5 mm lateral adjustment, spigot ABS, frame stainless steel, with threaded inserts, 100 x 100 mm, used with grates 90 x 90 mm

316Ti stainless steel