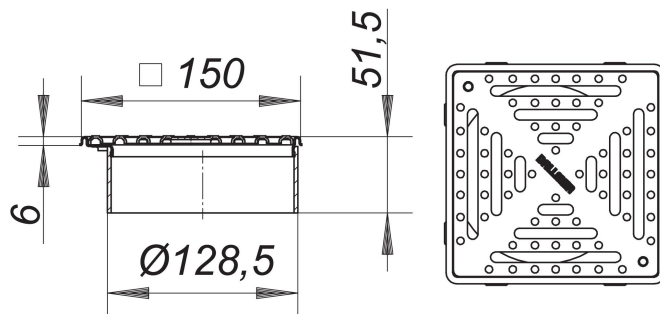
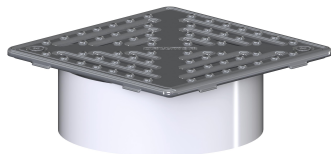


Grating VSR 15, 1.5 mm grate, non-slip, secured, 150 x 150 mm

Part number: 500441
 GTIN: 4001636500441
 Rebate group: 5



Description:

Grating VSR 15, 1.5 mm grate, non-slip, secured, 150 x 150 mm
 for CeraDrain S 15 and TistoDrain S 15,
 height adjustable up to 40 mm with +/- 13 mm lateral adjustment, spigot ABS, frame 304 stainless steel, 150 x 150 mm
 grate 304 stainless steel, secured, conforming to DIN 51097 in swimming and shower areas non-slip class B, conforming to DIN 51130 non-slip class R 11, load class K 3 (300 kg)