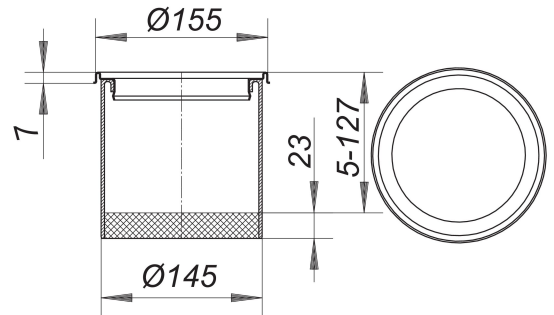


frame VER 15, 316L stainless steel, d: 155 mm

Part number: 500762
GTIN: 4001636500762
Rebate group: 3



Description:

frame VER 15, 316L stainless steel, d: 155 mm
used with floor drains type 54, 55, 57, 58, 61 and 61/1
frame 304 or 316L stainless steel,
spigot polypropylene
316L stainless steel, d: 155 mm