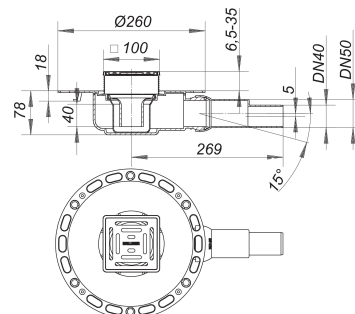


floor drain TistoPlan VC 10, DN 40/DN 50, 100 x 100 mm

Part number: 513748
 GTIN: 4001636513748
 Rebate group: 5



Description:

floor drain TistoPlan VC 10, DN 40/DN 50, 100 x 100 mm
 conforming to DIN EN 1253 (approval)
 outlet DN 40/DN 50 horizontal, with ball-joint, adjustable 0 – 15 degrees

specification

- flange with fleece surface
- Tisto-membrane
- removable trap insert, 40 mm water seal (deviating to DIN EN 1253)
- temporary blanking plate
- height adjustable grating

material

polypropylene
 grate 304 stainless steel, load class K 3 (300 kg)
 frame 304 stainless steel, 100 x 100 mm

Flow rates tested to DIN EN 1253:

Nominal diameter	Product standard	Min. flow rate according to norm	Water level according to norm
DN 50	DIN EN 1253	0.80 l/s	20.00 mm
DN 40	DIN EN 1253	0.80 l/s	20.00 mm

Spare parts:

501011 grate E 90, 90 x 90 mm

495587 frame TS 10, 100 x 100 mm

482013 trap insert for TistoPlan