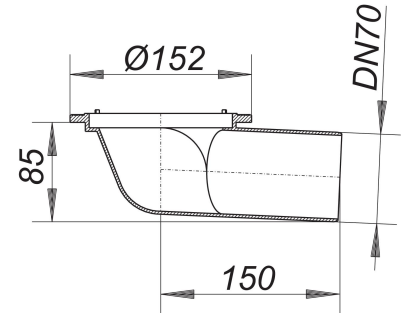


## balcony drain body type 83 KF, DN 70

Part number: 830340  
 GTIN: 4001636830340  
 Rebate group: 3



### Description:

balcony drain body type 83 KF, DN 70  
 body without flange for use without a waterproofing membrane

specification:

- side outlet, 3 degrees
- temporary blanking plate

material:

polypropylene, UV-stabilized

### Flow rates tested to DIN EN 1253:

Nominal diameter	Product standard	Min. flow rate according to norm	Water level according to norm
DN 70	DIN EN 1253	1.70 l/s	35.00 mm